

# THERMORY®

HERRINGBONE BY THERMORY® decking combines the dimensional stability, durability, rich dark tone and gorgeous grain of Benchmark Ash with the stunning herringbone design. It's installation is easy and quick too, requiring less than a third of the time that would normally be needed.

These installation guidelines are purely informative and based on the best knowledge currently available, and they should be used accordingly. We advise you to follow the regulations of your country where they conflict with the general recommendations found in this guide.

**Please read the entire guide and ensure your warranty is registered. Instructions can be found at the end of this guide.**

## Installation Guide

1. Herringbone by Thermory
2. Storage
3. Framing a deck properly and avoiding moisture damage
4. Positioning joists
5. Installing modules
6. Adding starter and end cap modules
7. Fastening modules with screws

## Decking Modules

8. Finishing the edges
9. Using starter module rest piece on opposite side
10. Edge board must be mounted flush with decking
11. Decking Maintenance
12. Herringbone decking modules order guide



**HERRINGBONE**  
by THERMORY®

Herringbone Benchmark Ash Decking  
Private Home, Estonia. Photo by Aivo Kallas



# 1. Herringbone by Thermory decking modules

Create an elegant herringbone patterned deck with ease.



The Thermory Herringbone decking modules match up perfectly so that you can effortlessly create an even herringbone pattern.



The starter and end cap modules make it easy to install the start and end of each row.

They are sold separately from the main decking modules so you can order what you need to build a decking area with the required size.



The mounting strips align the boards, making installation easy.



Stainless-steel screws are included with the decking modules.

Using the correct installation and maintenance techniques will result in the most beautiful and long-lasting Thermory decking.



## THERMALLY MODIFIED WOOD

Naturally enhanced using only heat & steam



## STABILITY

Dimensionally stable in changing weather conditions



## WALK BAREFOOT

The decking doesn't overheat in the sun



## HIGH DURABILITY

Thermo-ash for 25+ years of rot resistance



## SUSTAINABLE

Responsibly harvested and chemical-free modification



## EASY INSTALLATION

Ingeniously simple fixing methods

## HERRINGBONE BY THERMORY decking modules

**MAIN MODULE SIZE:** 1.1 x 32 x 19.6 in

### MAIN MODULE PACKAGE CONTENTS:

Four Herringbone main modules (covering 17.2 sq ft), stainless steel screws, installation instructions

### ADDITIONAL PARTS INCLUDED IN EVERY

**OTHER BOX:** One spacer wedge and two strips for fixing on the back of modules to install the edge piece

### STARTER AND END CAP MODULE SIZE:

1.1 x 32 x 15.5 in

### STARTER AND END MODULE PACKAGE CONTENTS:

Two start modules and two end cap modules, stainless steel screws. For two rows of main modules



## 2. Storage

Whenever possible, Thermory decking boards should be stored inside. The decking should be kept away from sunlight as UV rays will cause the color to fade. If kept outside, the boards should be elevated at least 6" from the ground, stacked evenly, and protected with a waterproof, light-impermeable cover.

Leave the ends of the cover unfastened to provide ventilation while avoiding moisture damage. Thermory decking should never be left in the rain or exposed to excess moisture when in its original packaging, as it will not dry properly when tightly packaged.

If possible, store the boards at the installation site for a few weeks prior to installation to allow them to acclimatize to the moisture conditions, using a protective cover to prevent moisture damage.

## 3. Framing a deck properly and avoiding moisture damage

WATCH THE  
INSTALLATION VIDEO



### Framing

Thermory Herringbone requires very special joist spacing. Follow the instructions thoroughly prior to construction. For framing, reference pg. 4 for specific guidelines on deck lengths and width sizes.

Herringbone decking must be laid on leveled joists.

We recommend using No. 1 KDAT pressure treated or fiberglass joists.

### Avoiding moisture damages

Good drainage is essential in order to direct water away from the structure. Make sure the ground beneath your decking is at a sufficient angle to avoid water pooling.

It is important that air can circulate underneath the decking. Do not allow moisture to become trapped beneath it.

Decking boards should lay at least 4 in above the ground. If possible, shim the joists to allow air circulation and drying.

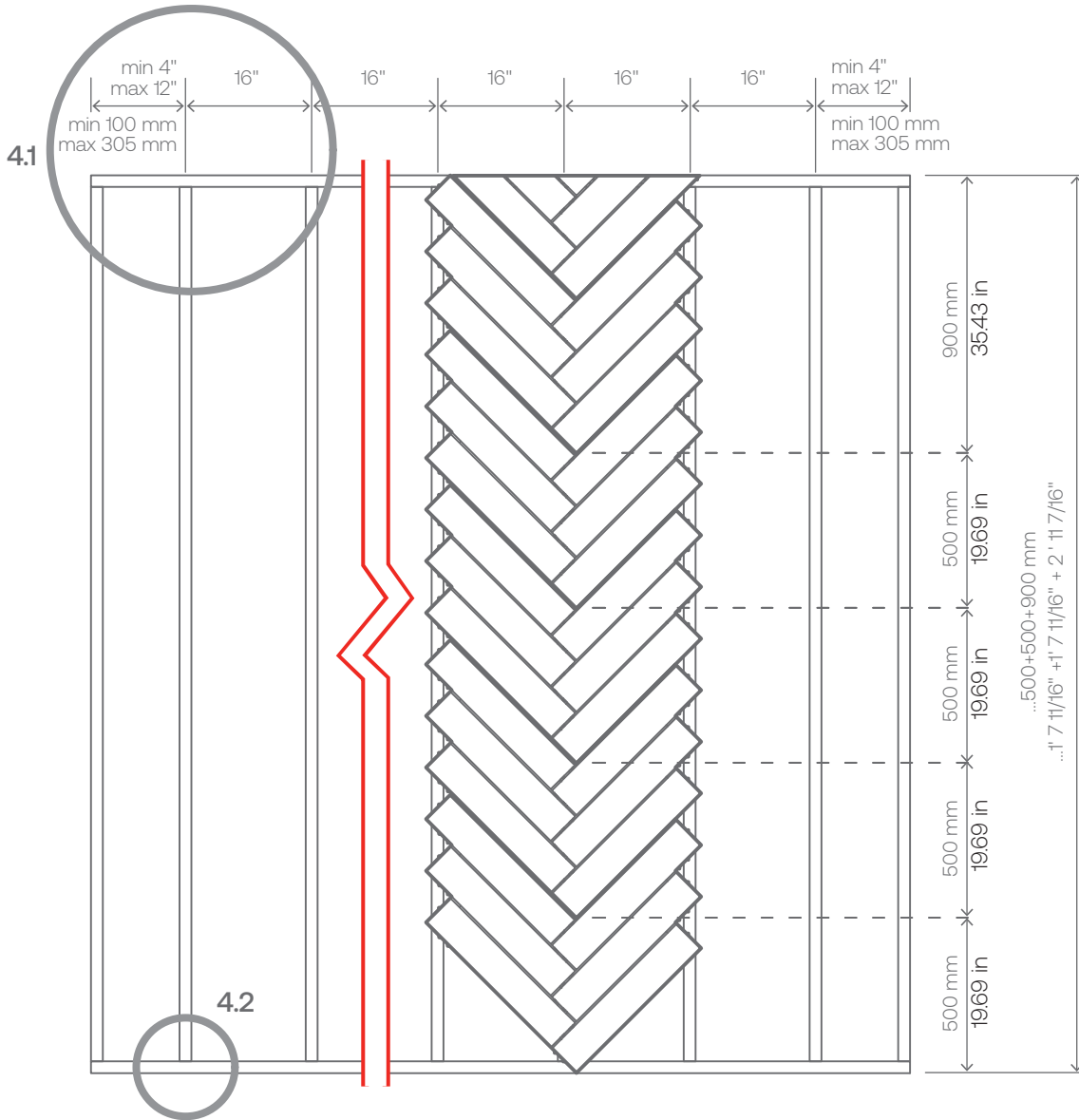
The ends and sides of the Thermory deck must be left open to allow air circulation. When using fascia boards, install them with air gaps and leave a space of at least 2 in from the ground.

Wood must not be in direct contact with wood.

We suggest covering the tops of the joists with butyl joist tape to avoid moisture damage.

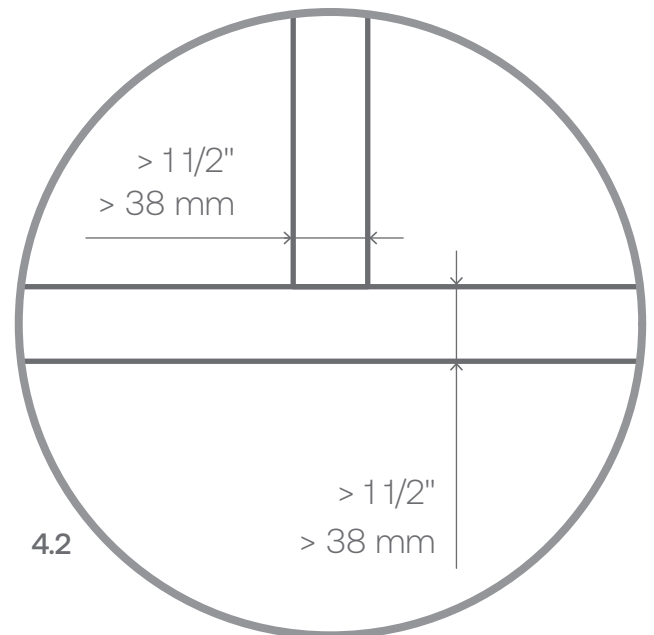
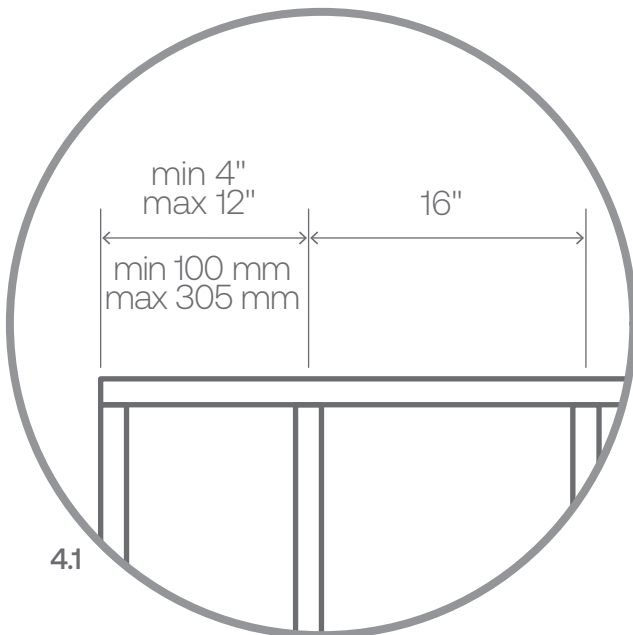


# 4. Positioning joists

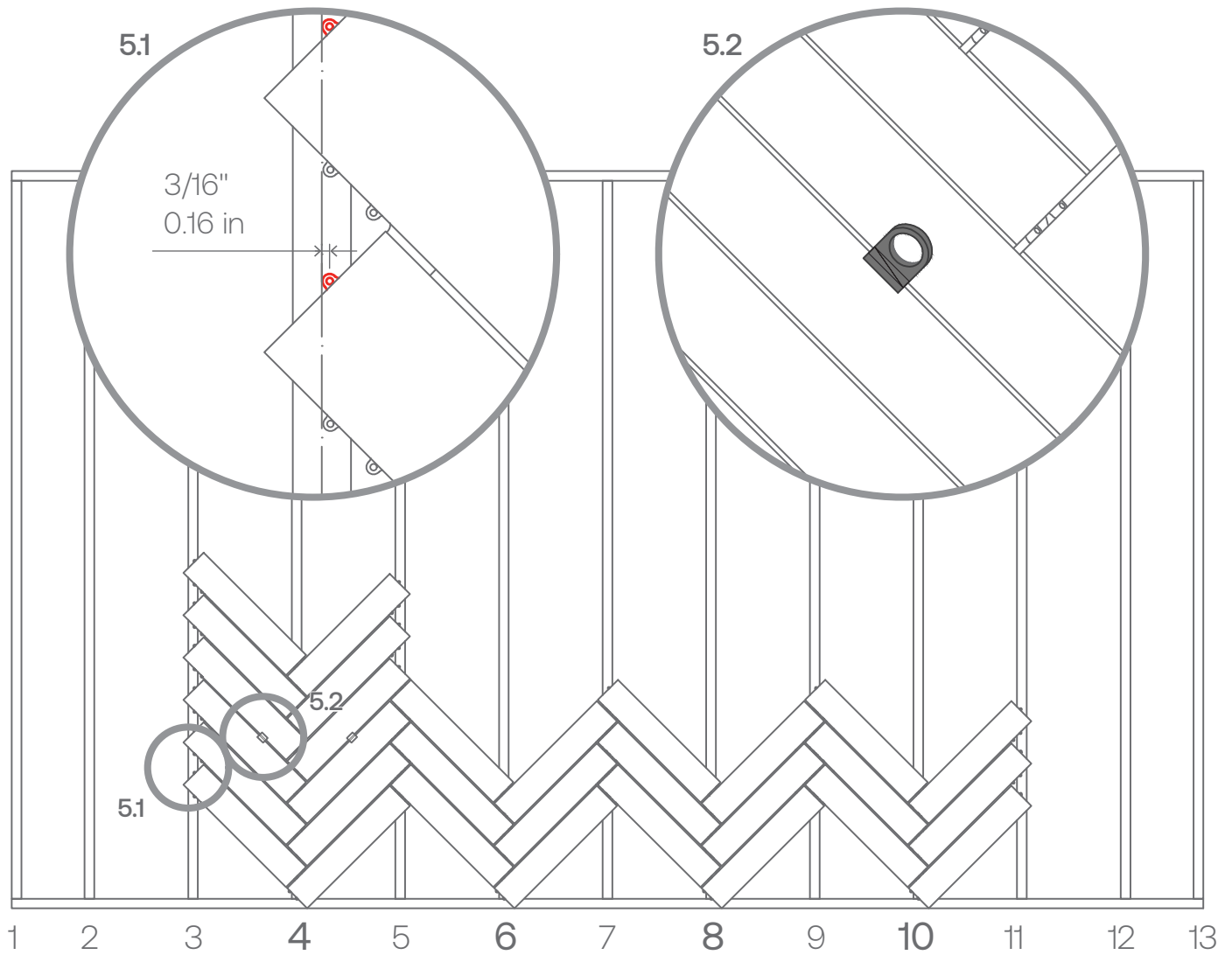


\*These dimensions need to be in multiples for the Herringbone pattern to be completed properly.

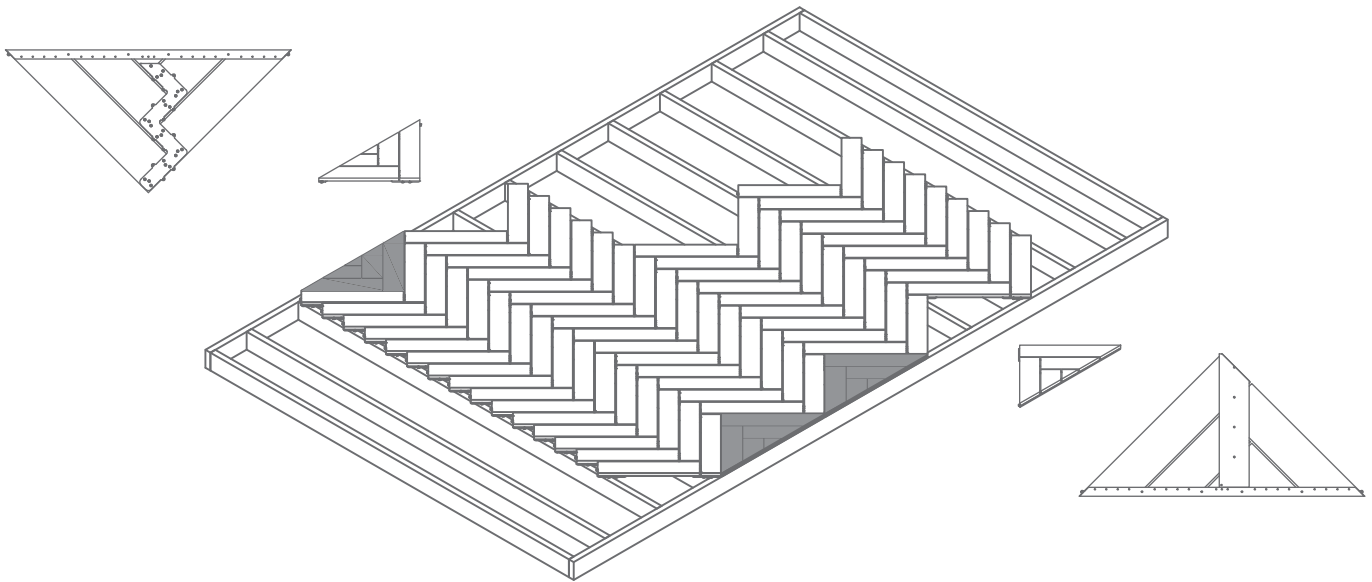
Before cutting joists, lay out one row of main modules plus one end module to ensure your calculations match the combined length. Please make adjustments if necessary.



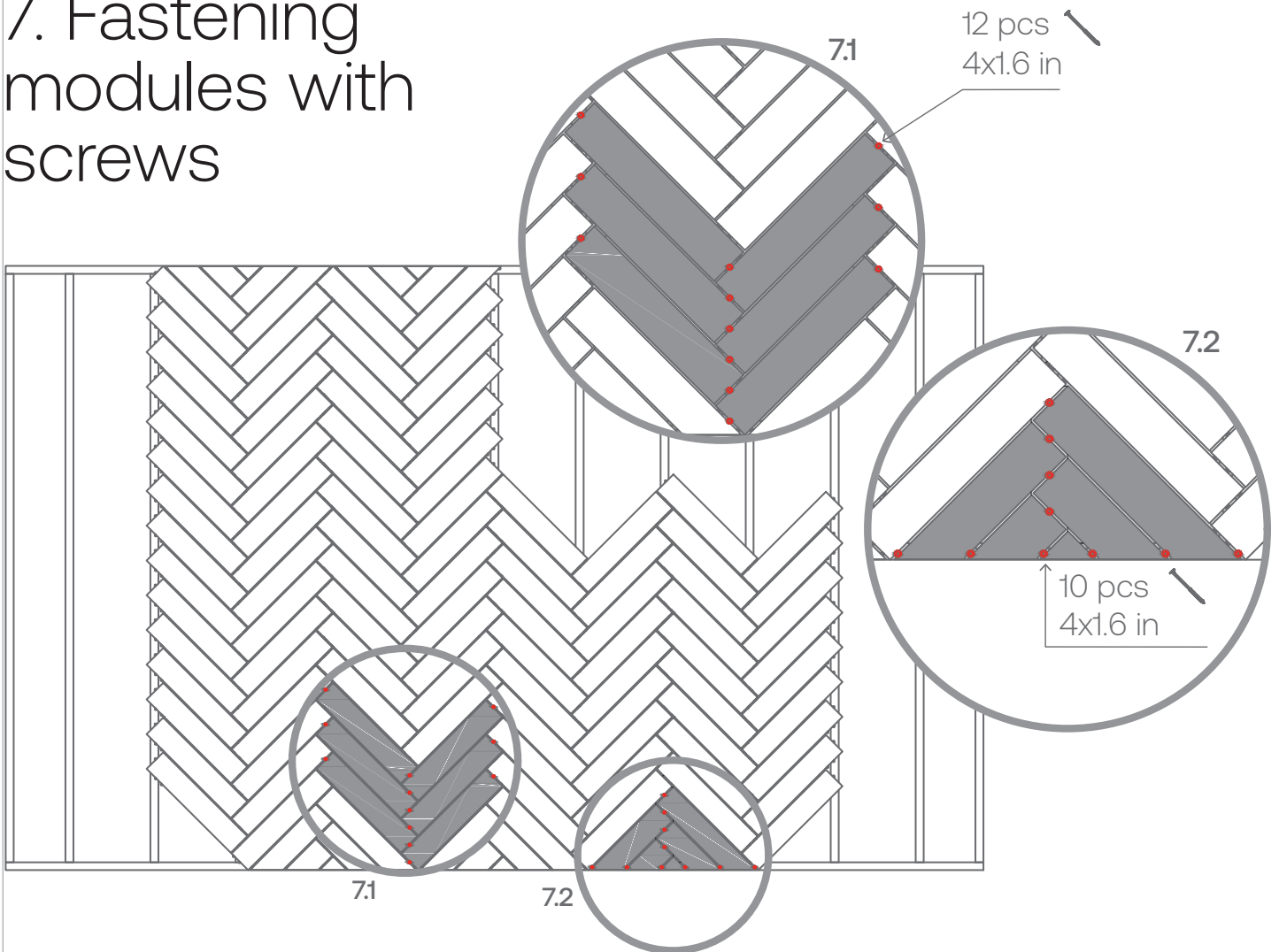
# 5. Installing modules



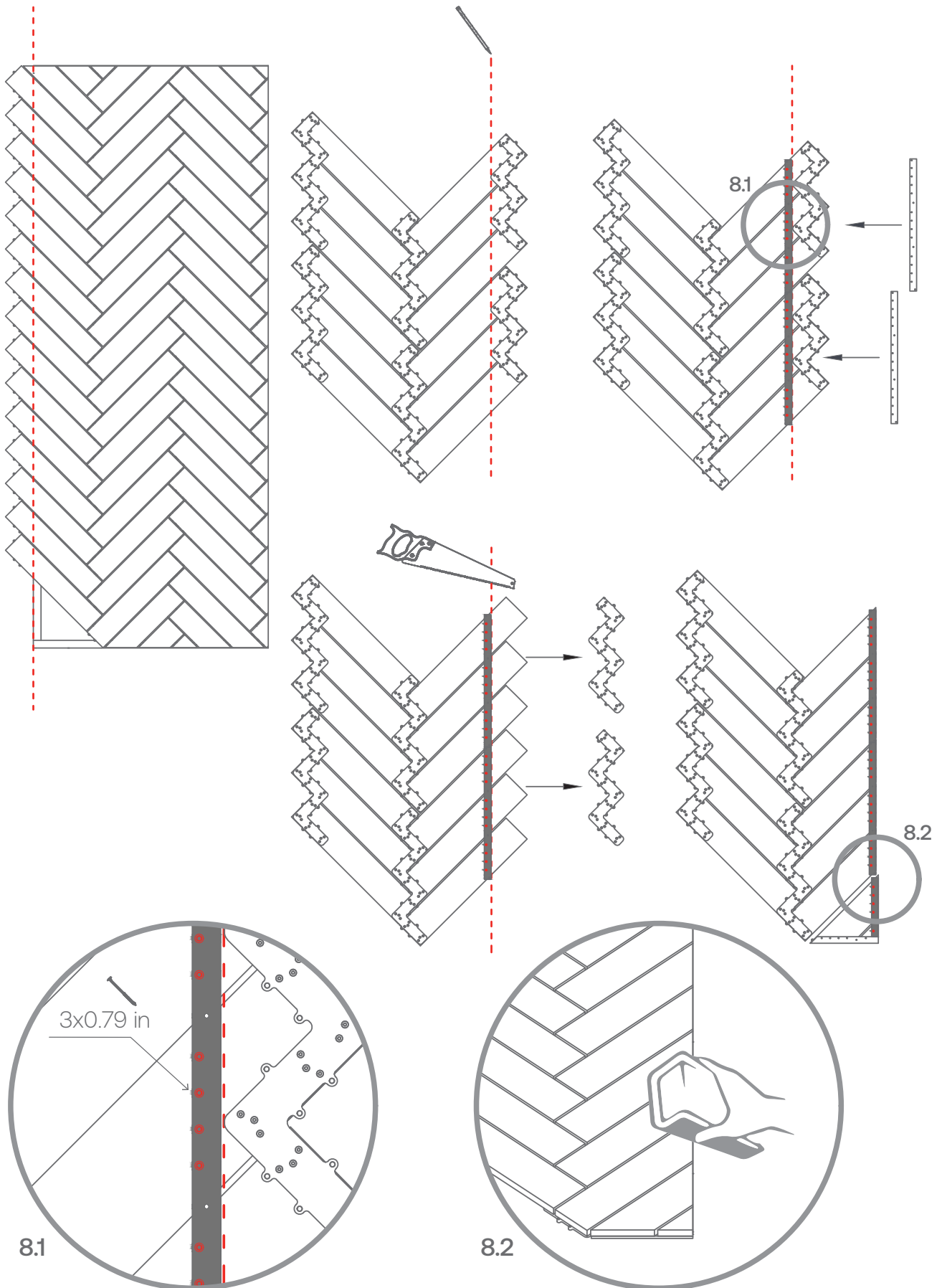
# 6. Adding starter and end cap modules



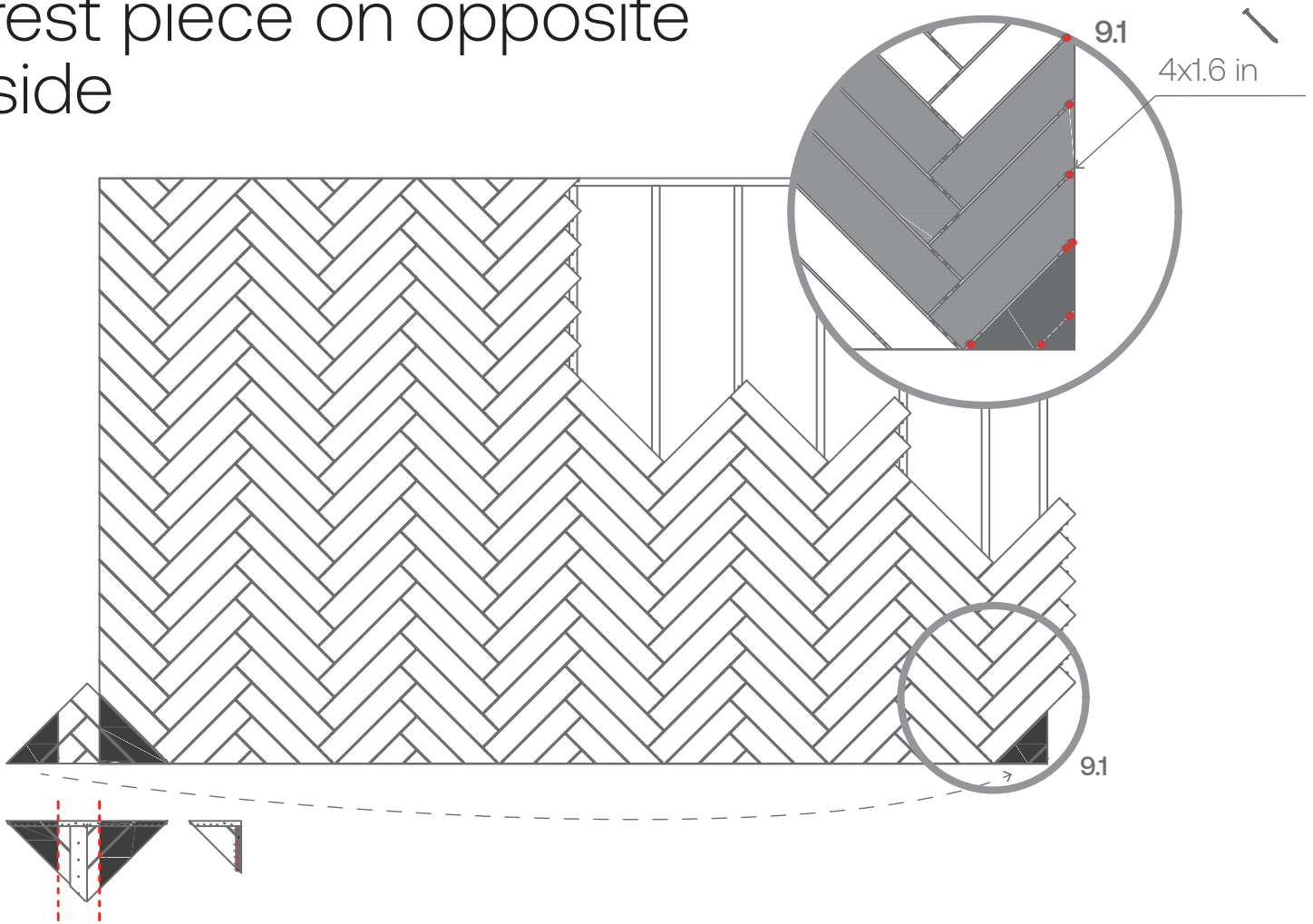
# 7. Fastening modules with screws



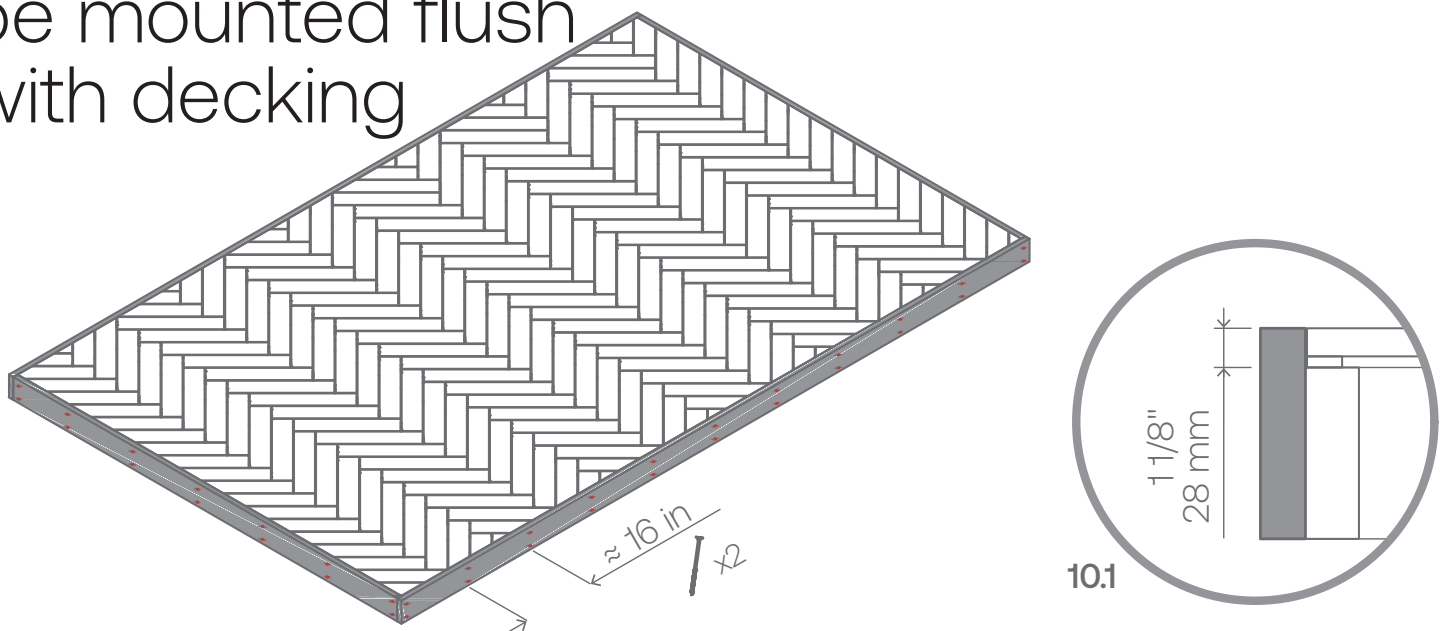
# 8. Finishing the edges



9. Using starter module rest piece on opposite side



10. Edge board must be mounted flush with decking





# 11. Decking maintenance

After installing your decking, it is important to keep its surface free of leaves, needles and other moisture-retaining debris that can promote mold.

Please follow the [Thermory Maintenance and Care Guide](#) for more detailed tips.

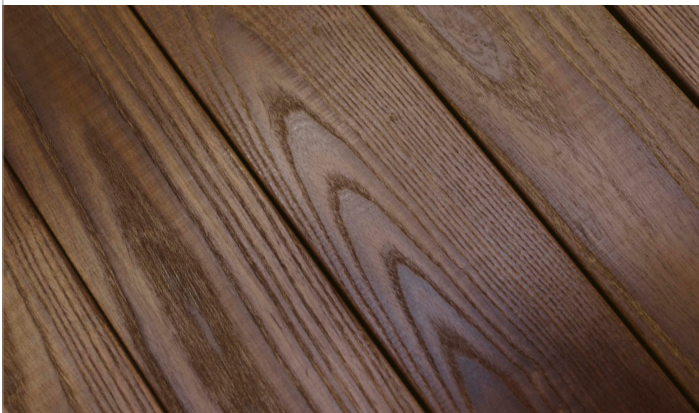
Like any wood products, thermally modified wood will also turn gray over time

This process starts immediately after the products are installed and takes from a few months to a few years, depending on the effects of UV radiation.

• To reduce discoloration or freshen up their appearance, Thermory boards can be protected by coating them with a UV-resistant pigmented mineral oil. The use of organic oils

is not recommended outdoors or in damp rooms, as they contain substances that provide a source of nutrition for biological organisms, such as bacteria, mold, etc.

• If you want the wood to turn gray over time while still minimizing natural cracking, finish the wood with a pigment free oil.



Benchmark Ash after installation



Benchmark Ash, aged and unsealed



# 12. Herringbone decking modules order guide

		DECK WIDTH (MEASURED FROM JOIST TO JOIST)								
IMPERIAL		2'	4' 8"	7' 4"	10'	12' 8"	15' 4"	18'	20' 8"	
MM		610	1 422	2 235	3 048	3 861	4 674	5 486	6 299	
AMOUNT OF JOISTS		3	5	7	9	11	13	15	17	
		HERRINGBONE STARTER MODULE AND END CAP MODULES								
		1	1	2	2	3	3	4	4	
		HERRINGBONE MAIN MODULE BOXES								
		1	1	1	1	2	2	2	2	
DECK LENGTH (MEASURED ALONG THE LENGTH OF EACH JOIST) UP TO:	IMPERIAL	MM	1	1	2	2	3	3	4	4
	2' 11 1/2"	900	1	1	2	2	3	3	4	4
	4' 7 1/8"	1 400	1	2	3	3	4	5	6	6
	6' 2 3/4"	1 900	1	2	3	4	5	6	7	8
	7' 10 1/2"	2 400	2	3	4	5	7	8	9	10
	9' 6 1/8"	2 900	2	3	5	6	8	9	11	12
	11' 1 7/8"	3 400	2	4	6	7	9	11	13	14
	12' 9 1/2"	3 900	2	4	6	8	10	12	14	16
	14' 5 1/4"	4 400	3	5	7	9	12	14	16	18
	16' 7/8"	4 900	3	5	8	10	13	15	18	20
	17' 8 5/8"	5 400	3	6	9	11	14	17	20	22
	19' 4 1/4"	5 900	3	6	9	12	15	18	21	24
	21'	6 400	4	7	10	13	17	20	23	26
	22' 7 5/8"	6 900	4	7	11	14	18	21	25	28
	24' 3 3/8"	7 400	4	8	12	15	19	23	27	30
25' 11"	7 900	4	8	12	16	20	24	28	32	
27' 6 5/8"	8 400	5	9	13	17	22	26	30	34	
29' 2 3/8"	8 900	5	9	14	18	23	27	32	36	
30' 10"	9 400	5	10	15	19	24	29	34	38	
32' 5 3/4"	9 900	5	10	15	20	25	30	35	40	
34' 11/2"	10 400	5	10	15	20	25	30	35	40	

EXAMPLE: A deck 21' long and 18' wide requires 4 start module boxes and 21 main module boxes.

Starter modules and end cap modules have to be purchased separately from the main modules as noted in table above. As a standard practice with any decking product always purchase 5% more to compensate for material loss due to installation procedures and subconstruction imperfections.

FROM THE FIRST JOIST TO THE LAST ONE) UP TO:

23' 4"	26'	28' 8"	31' 4"	34'	36' 8"	39' 4"	42'	44' 8"	47' 4"
7 112	7 925	8 738	9 550	10 363	11 176	11 989	12 802	13 614	14 427
19	21	23	25	27	29	31	33	35	37

MODULE BOXES (2 PCS + 2 PCS IN A BOX). BOXES TO BE PURCHASED:

5	5	6	6	7	7	8	8	9	9	boxes
---	---	---	---	---	---	---	---	---	---	-------

BOXES (4 PCS IN A BOX). BOXES TO BE PURCHASED:

3	3	3	3	4	4	4	4	5	5	
5	5	6	6	7	7	8	8	9	9	
7	8	9	9	10	11	12	12	13	14	
9	10	11	12	13	14	15	16	17	18	
12	13	14	15	17	18	19	20	22	23	
14	15	17	18	20	21	23	24	26	27	
16	18	20	21	23	25	27	28	30	32	
18	20	22	24	26	28	30	32	34	36	
21	23	25	27	30	32	34	36	39	41	
23	25	28	30	33	35	38	40	43	45	boxes
25	28	31	33	36	39	42	44	47	50	
27	30	33	36	39	42	45	48	51	54	
30	33	36	39	43	46	49	52	56	59	
32	35	39	42	46	49	53	56	60	63	
34	38	42	45	49	53	57	60	64	68	
36	40	44	48	52	56	60	64	68	72	
39	43	47	51	56	60	64	68	73	77	
41	45	50	54	59	63	68	72	77	81	
43	48	53	57	62	67	72	76	81	86	
45	50	55	60	65	70	75	80	85	90	



**HERRINGBONE**  
by THERMORY®

**Thermory USA - Buffalo**  
56 Harvester Ave, Ste. 1-201  
Batavia, NY 14020  
585.591.6590  
support@thermoryusa.com

Last updated: September 2024  
All previous versions are null and void

→ **ThermoryUSA.com**

**LIMITED PRODUCT WARRANTY**

This Limited Product Warranty grants specific legal rights, which may vary by state. To activate the Warranty, the original purchaser must email the following to warranty@thermoryusa.com within 90 days of original purchase:

1. Proof of purchase (receipt).
2. Installer's name, address, phone number, and email.
3. Purchaser's name, address, phone number, and email.

For full details, visit [thermoryusa.com/downloads](https://thermoryusa.com/downloads).



**THERMORY®**  
LEAVE A LASTING IMPACT

Herringbone Benchmark Ash Decking  
Private Home, Estonia. Photo by Aivo Kallas

